

RECYFIX HICAP F

High capacity drainage system for the highest load category.



**Yas Marina Circuit,
Abu Dhabi, U.A.E.**



RECYFIX HICAP F

High capacity drainage system for the highest load category.

1 Requirements

Drainage system for extreme conditions with

- high hydraulic requirements
- high loads
- large areas
- ailing sewer systems

2 Application areas

- parking areas
- supermarkets/shopping centres
- pedestrian areas
- airports
- industrial estates
- container terminals
- ports
- circuits and test tracks

3 Solutions

Special features of RECYFIX HICAP:

- drainage and retention in one component
- large selection of nominal widths
- for all loading classes and all common road surface finishes
- variety of variants:
 - stainless steel slot & design grating WAVE
 - ductile iron slots
- less manholes and outlets
- provides an uniform visual appearance also in large projects
- no separate gratings
- no expensive pipe installations required
- high hydraulic capacity
- easy to maintain



Chopin Airport, Warsaw, Poland



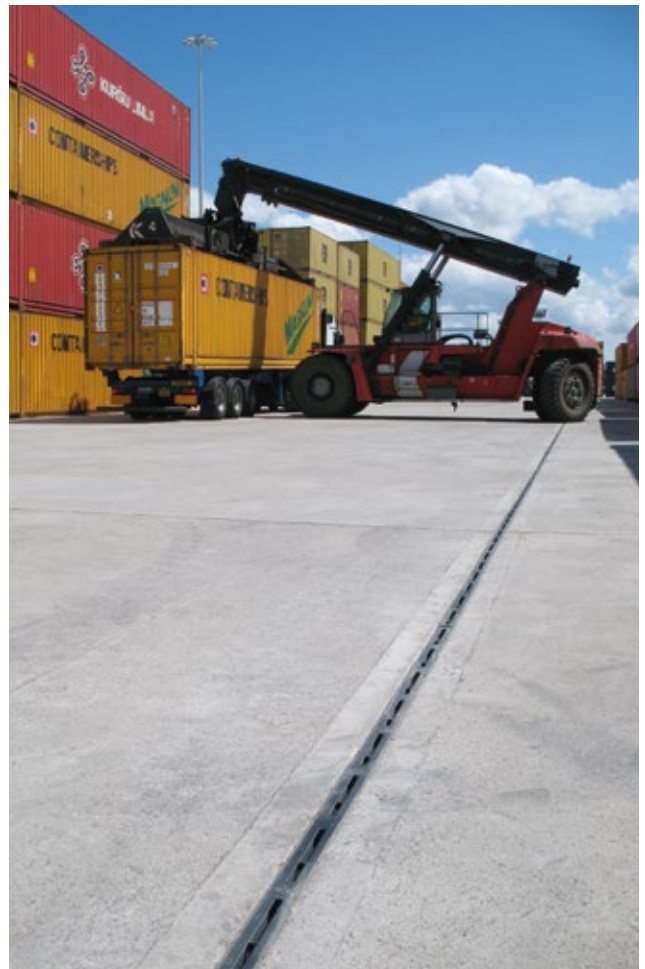
Pedestrian area, Poland



Skyscraper ZŁOTA 44 in Warsaw, Poland



Viettel company headquarters, Hanoi, Vietnam



Teesport Container Terminal, UK

FASERFIX®SUPER
FASERFIX®KS
FASERFIX®BIG SLG
FASERFIX®BIG BL
RECYFIX®PLUS X
RECYFIX®NC
RECYFIX®MONOTEC
RECYFIX®HICAP®F
FASERFIX®POINT KS
SERVICE CHANNEL

RECYFIX HICAP F

Water drainage and retention.

Retention

The design of RECYFIX HICAP, channels is unique due to its high hydraulic efficiency which ensures additional retention capacity. The system simultaneously performs three tasks:

- drains water, even from large areas
- stores excessive amounts of water
- channels water to the discharge point

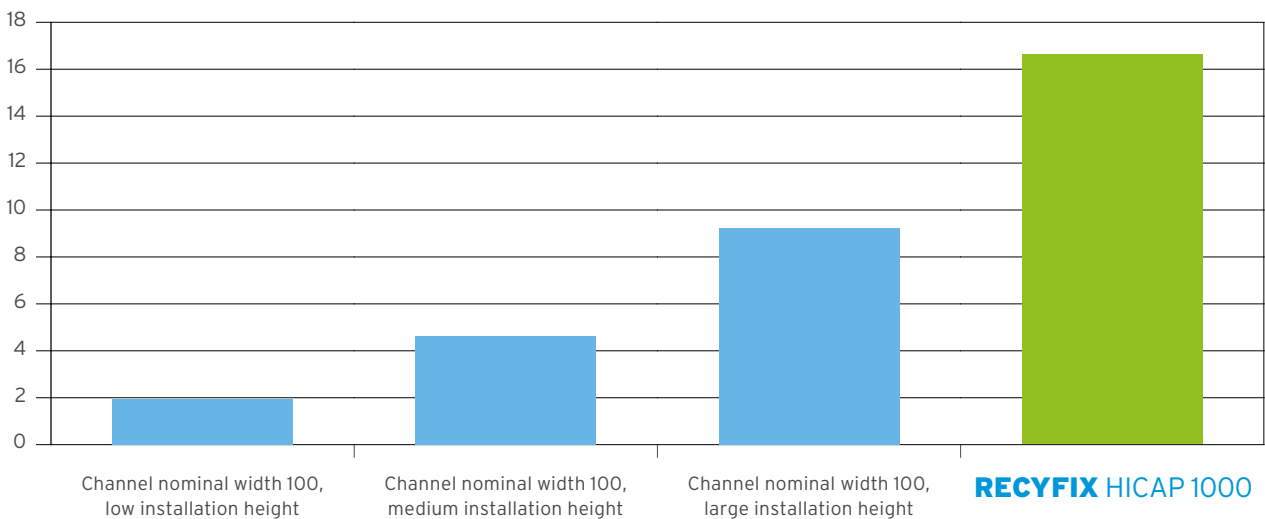
RECYFIX HICAP, eliminates the need for additional storage reservoirs.

Modular design - low number of connections

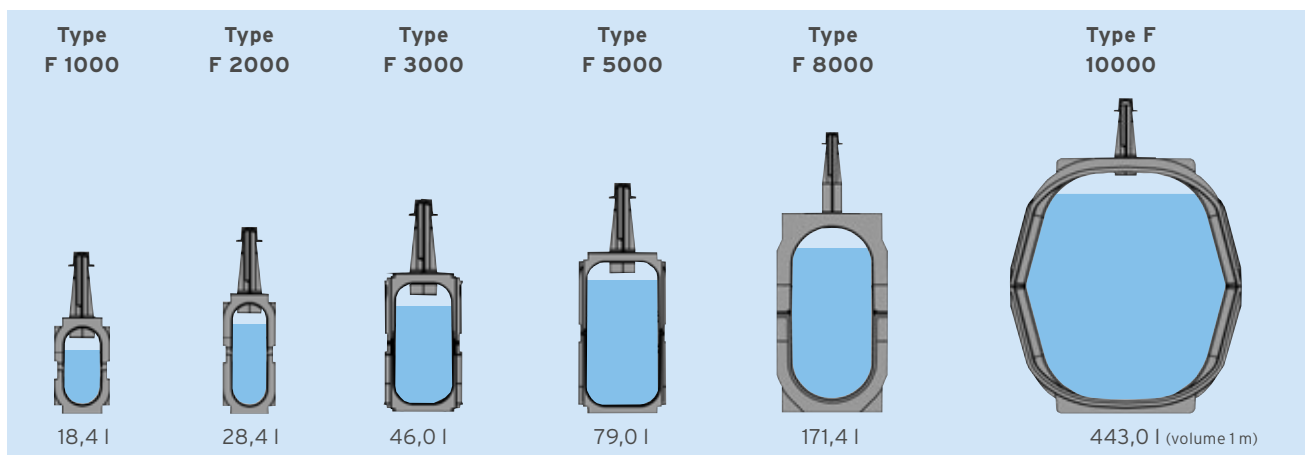
RECYFIX HICAP, is so effective because large areas can be implemented with one single channel run. Starting with a nominal width of 100 mm it offers the option to expand up to 680 mm.

Drainage wells can be installed in any chosen location used for connecting channels to sewage systems or for connecting other drainage channels - it can also be used as a pumping well/chamber.

Comparison of flow capacity l/s



Range of RECYFIX HICAP



A practical example:

The following practical example demonstrates the large drainage- and retention capacity of RECYFIX HICAP channels:

Logistics Centre Plovdiv, Bulgaria

Channel length: 356 m, divided:

- 66 m RECYFIX HICAP F 5000 Type 5300, slot 28 mm
- 136 m RECYFIX HICAP F 8000 Type 8300, slot 28 mm
- 154 m RECYFIX HICAP F 10000 Type 10300, slot 28 mm

Total drainage area: 10,730 m²

Runoff coefficient (specified by the planner): 0.85

Rain yield factor (specified by the planner): 300 l/s ha

→ **Discharge capacity at end of channel run: 252 l/s**

One single channel run drains a surface of more than 10,000 m², directs the entire water amount over more than 356 m and at the end releases it into the public sewer at one single point at a rate of 252 l/s.



FASERFIX®SUPER

FASERFIX®KS

FASERFIX®BIG SLG

FASERFIX®BIG BL

RECYFIX®PLUS X

RECYFIX®NC

RECYFIX®MONOTEC

RECYFIX®HICAP®F

FASERFIX®POINT KS

SERVICE CHANNEL

RECYFIX HICAP F

Water drainage and retention.

Sample calculation

RECYFIX HICAP F, ductile iron mesh 13/28

The hydraulic advantages of RECYFIX HICAP channels can be demonstrated by the following calculation:

Inlet capacity of a ductile iron mesh 13/28 mm grating, determined at Prague Technical University:

4.0 l/s per metre

Frequently occurring yield from rain events:

150 l/s per hectare

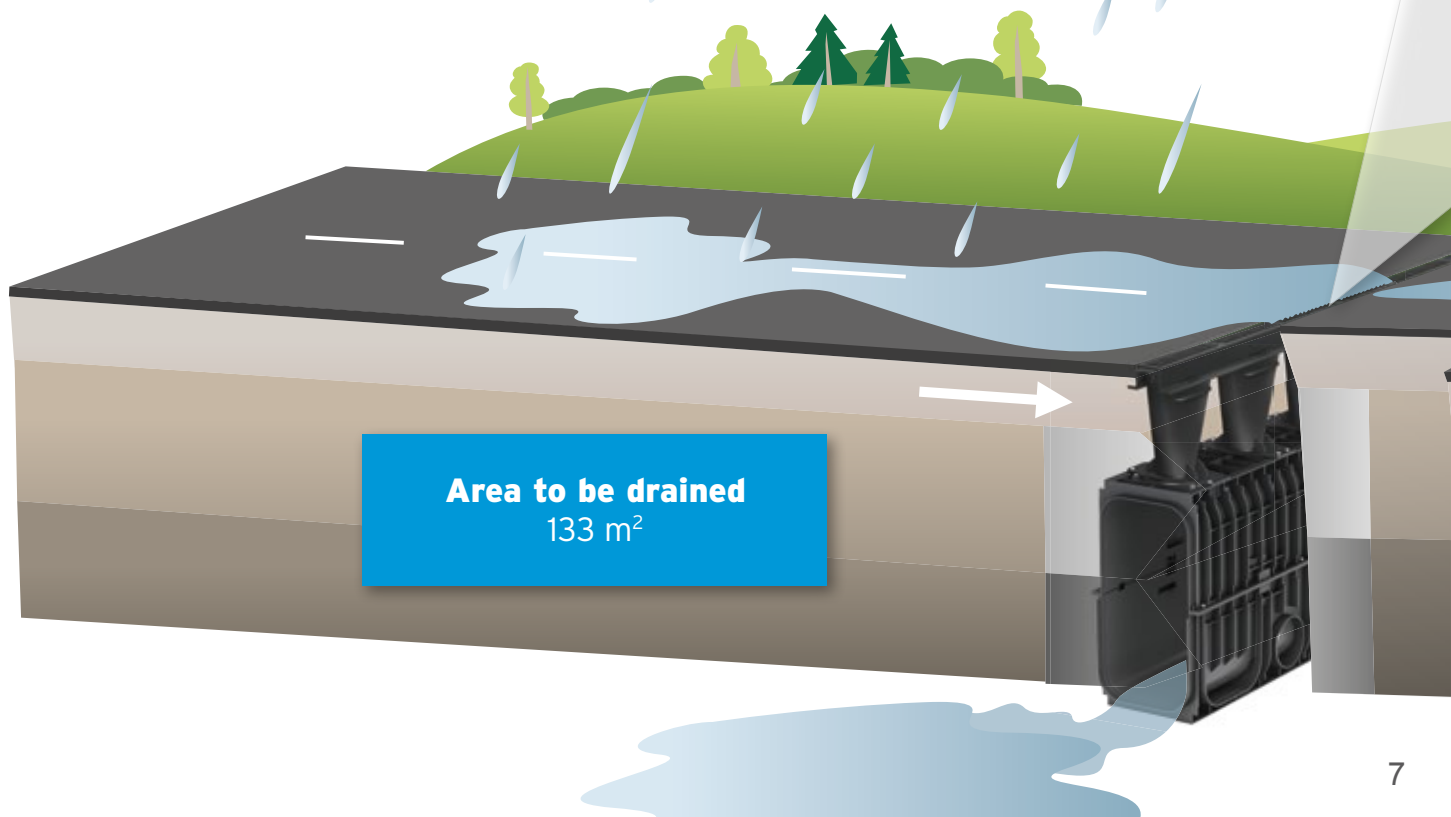
150 l/s ha = 0.015 l/s m²

$\frac{4.0 \text{ l/s m}}{0.015 \text{ l/s m}^2} = 266.67 \text{ m}^2$

Result of this example:

1 m RECYFIX HICAP channel with ductile iron mesh 13/28 mm grating can discharge the rainwater from 266.67 m² when the yield is 150 litres per second and hectare.







Rain event
150 l/s per hectare



Area to be drained
133 m²

Inlet capacity of RECYFIX HICAP F

(applies to all nominal widths)

stainless steel slot 24 mm		5.8 l/s per metre
stainless steel design grating WAVE 6 mm		2.3 l/s per metre
ductile iron slot 6 mm		3.1 l/s per metre
ductile iron mesh 13/28 mm		5.8 l/s per metre
ductile iron slot 28 mm		6.8 l/s per metre
ductile iron slot 14 mm		4.6 l/s per metre

measured during excess backwater testing at 10 mm

**Flow capacity
of mesh**
13/28 mm - 4.0 l/s per metre

Area to be drained
133 m²

FASERFIX®SUPER

FASERFIX®KS

FASERFIX®BIG SLG

FASERFIX®BIG BL

RECYFIX®PLUS X

RECYFIX®NC

RECYFIX®MONOTEC

RECYFIX®HICAP®F

FASERFIX®POINT KS

SERVICE CHANNEL

YOUR BENEFITS WITH RECYFIX HICAP F

FAST AND EASY INSTALLATION

- easy to handle and install without heavy lifting equipment
- innovative Link&Lock grating connection for easy and quick straight channel alignment
- integrated tongue and groove joint
- PP channel body can be cut, drilled and worked easily on site
- reduced pipe-work installations

= TIME- & COST SAVINGS



INDIVIDUAL SOLUTIONS

- accommodates radius installation
- wide range of uniform design gratings in KTL ('cathodic dip' coated) and stainless steel
- configurable as 'constant-depth' or 'stepped-fall'
- cable and pipe installations can be laid through throat voids between funnels
- ductile iron top on the surface can be interrupted while channels continue underground

= DESIGN FLEXIBILITY



VARIOUS CONNECTION POSSIBILITIES

- end cap with channel connection option
- simple possibility for preparation of corner and T-connections in connection with the trash box
- step-fall connector for connecting the next nominal width
- various pre-formed pipe-connections for added flexibility

= DESIGN FLEXIBILITY / PERFORMANCE ASSURED



HIGH RESISTANCE

- high-level resistance to fuels/oils, frost, salt and UV-rays
- withstands high temperature differences
- fit-for-purpose in climate temperatures ranging from minus - 50 °C to + 80 °C and more
- gratings in spheroidal ductile iron (KTL 'cathodic dip' coated); for high impact/corrosion resistance

= QUALITY ASSURED & LONGEVITY



LARGE RETENTION VOLUME

- drainage and retention in one component
- high capacity and back-pressure capacity due to a variety of nominal widths
- fewer chamber and pipe connections required

= PERFORMANCE ASSURED / COST SAVINGS



HIGH-GRADE MATERIAL

- top inlet made of high-quality ductile iron → much higher tensile and compressive strength than channels made of polymer/resin concrete
- high-grade **RECYFIX** channel components from very light and almost unbreakable material
- 100 % recycled PP composite body (and 100 % recyclable) for full environmental standards compliance
- smooth inner surface for superior flow characteristics
- 0 % water absorption

= QUALITY- & PERFORMANCE ASSURED



HIGH STABILITY

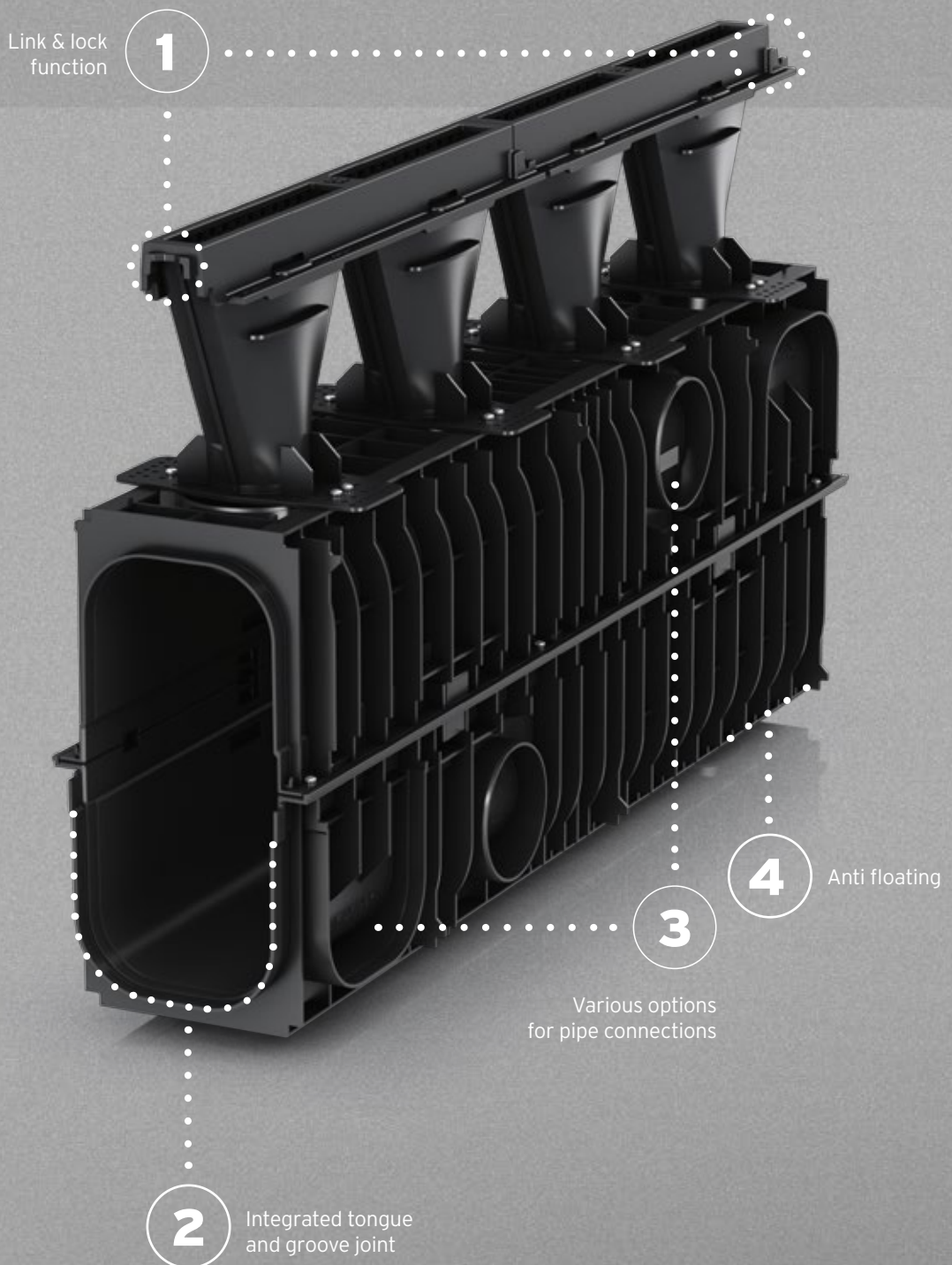
- designed for superior resistance to dynamic forces and loads up to class F 900
- torsion-free ribs and throat voids for additional structural integrity and rigidity

= PERFORMANCE ASSURED



IDEAL FOR ...

drainage and retention for the highest load areas, such as airports, industrial estates and container terminals.



RECYFIX HICAP F

High capacity drainage system for the highest load category.

RECYFIX HICAP channels meet the requirements of DIN EN 1433 and are suitable for the following load categories:



Category
A 15



Category
B 125



Category
C 250



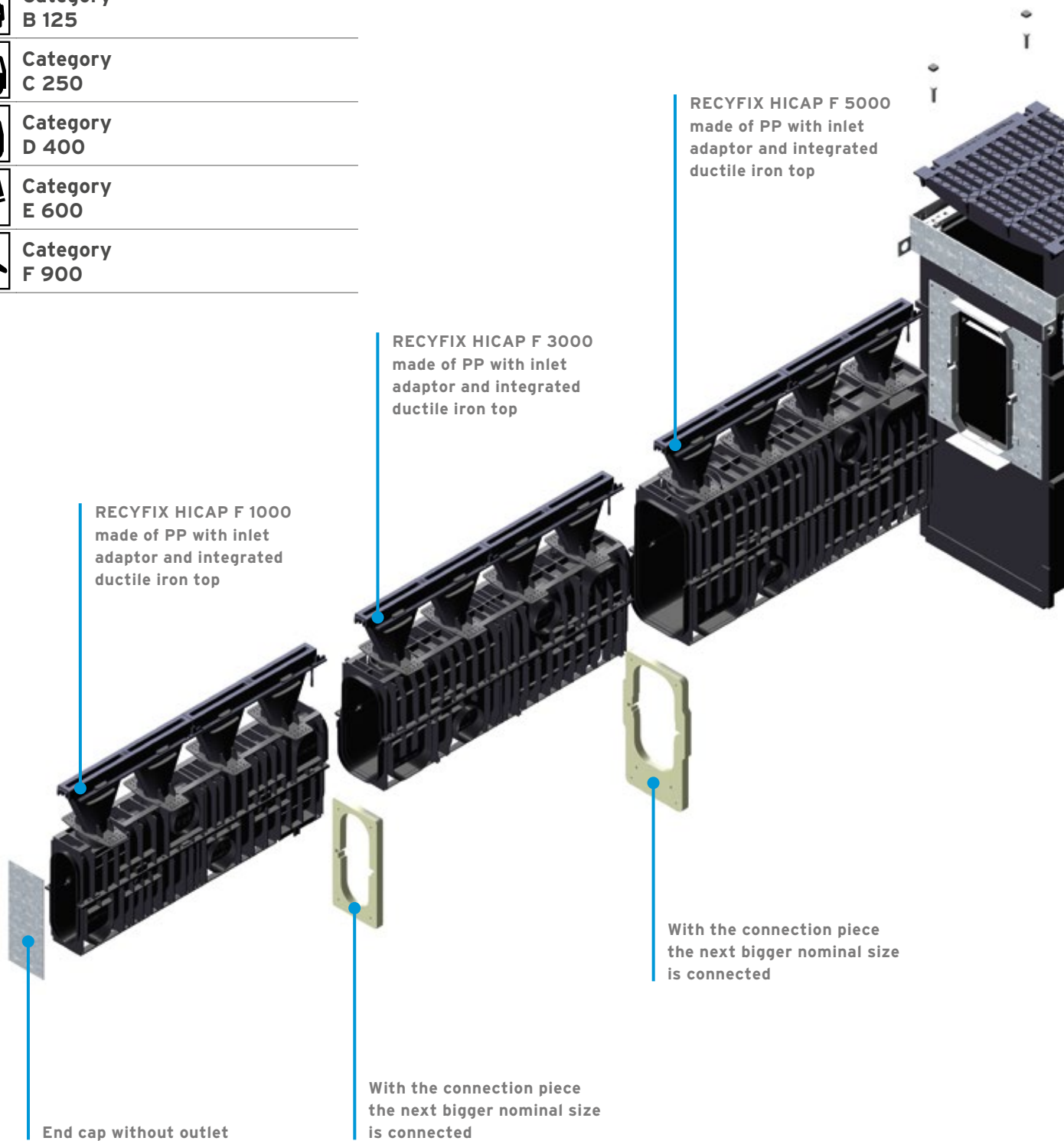
Category
D 400

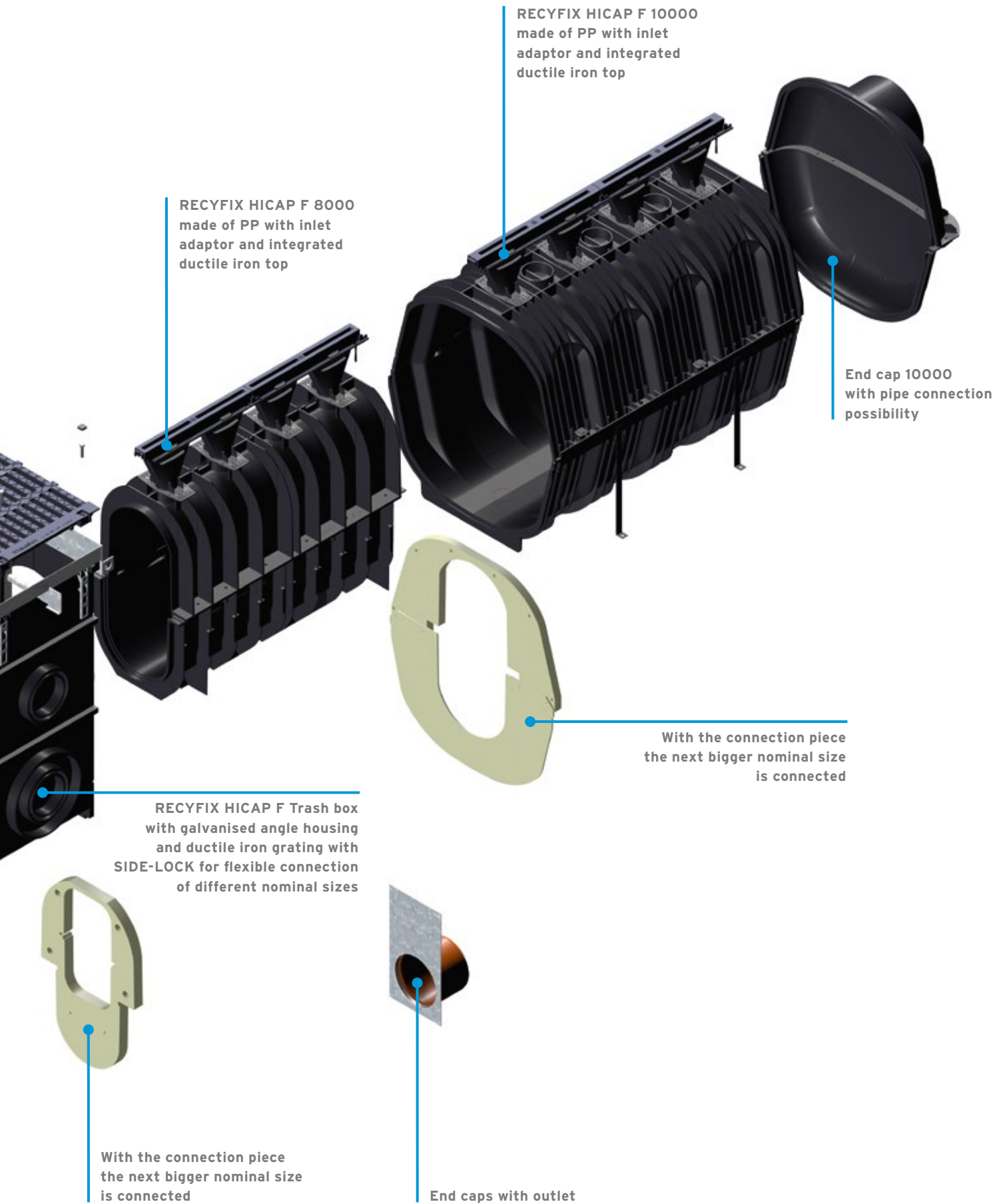


Category
E 600



Category
F 900





FASERFIX®SUPER
FASERFIX®KS
FASERFIX®BIG SLG
FASERFIX®BIG BL
RECYFIX®PLUS X
RECYFIX®NC
RECYFIX®MONOTEC
RECYFIX®HICAP®F
FASERFIX®POINT KS
SERVICE CHANNEL

RECYFIX HICAP F

**Effectively drained - modularly built.
Drainage and retention system for larger areas.**

Report from the field: RECYFIX HICAP F channels for Heathrow Airport, London

With 67 million travellers annually, Heathrow Airport in London is Europe's busiest airport. Worldwide it takes third place behind Atlanta and Chicago. This important hub in international air traffic is operated by BAA, British Airports Authority, the largest airport operator worldwide. 75 % of the British Airways fleet is based at Heathrow Airport.



At the southern section of the airport the British Airways service park was expanded. The construction site abutted right on the runway and taxiway. The demands on the new service site were immense: here airplanes of all types and sizes pass - including the Airbus A380, which was

also a main reason for the reconstruction. The aircraft tugs alone weigh 80 tons and, just as the airplanes, drive and turn on the traffic areas. The demands on the drainage systems are accordingly high.

Project progress

In 1999 BAA was supplied with FASERFIX SUPER channels for the Gatwick airport and installed in the British Airways hangars and Concorde maintenance hangars. One year later, FASERFIX SUPER KS 100 channels were delivered to London City Airport. The assigned engineering office was very satisfied with the quality and service. In 2003 BAA broached the topic of installation and handling of drainage systems. The main topic of the discussions was the extreme weight of the products and the associated high employment of machines during installation.

On multiple occasions, HAURATON contacted various departments of BAA and presented the advantages of RECYFIX products (lightweight, easy handling, meets British "Health and Safety Regulations" = One-man-lift = max. 25 kg). Drainage channels from this line were presented in various meetings and BAA decided across the board to work with HAURATON in the area of RECYFIX.



RECYFIX HICAP F - eco-friendly and 'easy to handle'

Another key criterion for BAA was recycling. Airport planning and operation are subject to stringent environmental requirements. Products made of recycled plastic are therefore especially suited.

Suppliers routinely need to present BAA with product innovations which offer cost savings in installation and maintenance. In 2006 the time came for HAURATON to present the new line RECYFIX HICAP. The feedback was very positive, with BAA immediately recognising the resulting advantage in installation and maintenance, and the installation at Heathrow was decided.

Installed items

- 380 m RECYFIX HICAP F 8000
- 100 m RECYFIX HICAP F 5000
- 100 m RECYFIX HICAP F 3000



Lightweight elements, installed by one single worker.

Other examples of RECYFIX HICAP F



FASERFIX®SUPER

FASERFIX®KS

FASERFIX®BIG SLG

FASERFIX®BIG BL

RECYFIX®PLUS X

RECYFIX®NC

RECYFIX®MONOTEC

RECYFIX®HICAP®F

FASERFIX®POINT KS

SERVICE CHANNEL

RECYFIX HICAP F

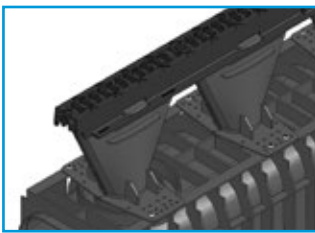
High capacity drainage system for the highest load category.

Inlet slots of RECYFIX HICAP F system

System RECYFIX HICAP F offers a wide selection of inlet slots.

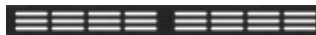
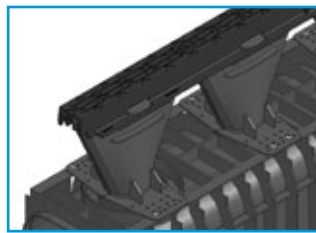
- slots are joined in an innovative way to ensure stability and facilitate the installation process
- wide range of design solutions provides designers with many customization options for planned investments.
- all standard inlet slots are protected by KTL coating which prevents oxidation of iron and ensures long term preservation of their black colour.
- galvanized iron grating is also available in silver colour.
- top-class aesthetics when using stainless steel gratings.

Ductile iron gratings



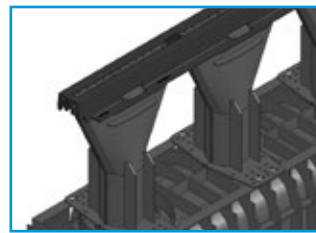
Slot 13/28 mm

- KTL coating
- slot size 13 x 28 mm
- intake cross-sect 172 cm²/m
- application: road surfaces



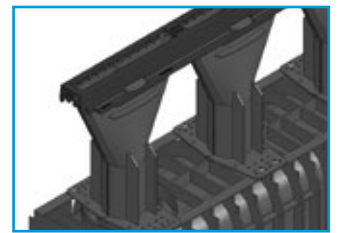
Slot 6 mm

- KTL coating
- slot size 5 x 51 mm
- intake cross-sect 154 cm²/m
- application: pedestrian traffic



Slot 14 mm

- KTL coating
- slot size 14 x 221 mm
- intake cross-sect 124 cm²/m
- application: industrial areas



Slot 28 mm

- KTL coating
- slot size 28 x 221 mm
- intake cross-sect. 248 cm²/m
- application: industrial areas

Stainless steel gratings



Slot 24 mm

- slot size 24 x 221 mm
- intake cross-sect 211 cm²/m
- application: industrial areas



Design grating WAVE 6 mm

- maximum slot width 6,5 mm
- intake cross-sect 78 cm²/m
- application: prestigious areas/pedestrian areas

Discontinuous design

Inlet elements don't have to be installed on every channel's body. The draining line is continuous under the surface, but its top part may be covered.



Customized solutions

All elements of the system can be adapted to the individual requirements and building conditions of a given project. Both the height of the channels and the preparation of special solutions can be adjusted:

- gratings design (individual pattern of stainless steel inlet slot),
- covers for trash boxes,
- or angular connections of channels.

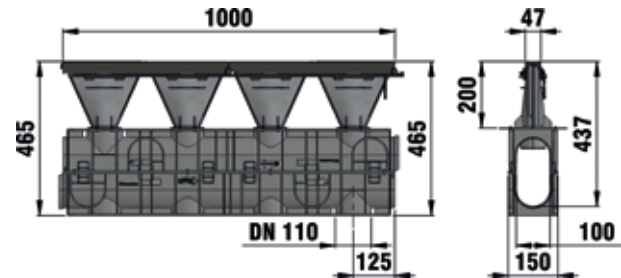


Special solution for Bałtyk Tower in Poznań.

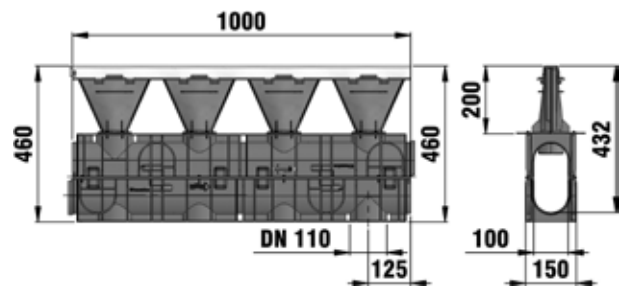
RECYFIX®HICAP®F 1000

RECYFIX®HICAP®F 1000 up to load class D 400

Type 1200, ductile
iron slot 6 mm



Type 1200, stainless
steel design grating
WAVE 6 mm

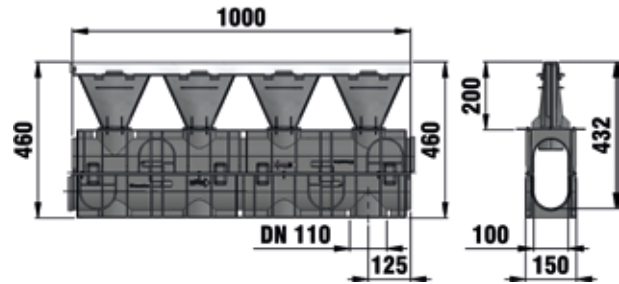


	Length mm	Width mm	Height mm	Internal channel cross-sect. cm ²	Intake cross-sect. cm ² /m	Funnel H mm	Weight kg	Item No.
Type 1200, ductile iron slot 6 mm	1000	150	465	184	129	200	10,75	13000
Type 1200, stainless steel design grating WAVE 6 mm	1000	150	460	184	44	200	-	13026

RECYFIX®HICAP®F 1000

RECYFIX®HICAP®F 1000 up to load class E 600

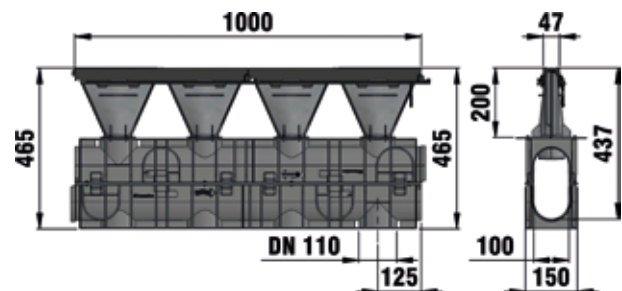
Type 1200, stainless steel slot 24 mm



	Length mm	Width mm	Height mm	Internal channel cross-sect. cm ²	Intake cross-sect. cm ² /m	Funnel H mm	Weight kg	Item No.
Type 1200, stainless steel slot 24 mm	1000	150	460	211	211	200	-	13029

RECYFIX®HICAP®F 1000 up to load class F 900

Type 1200, ductile iron slot 28 mm



	Length mm	Width mm	Height mm	Internal channel cross-sect. cm ²	Intake cross-sect. cm ² /m	Funnel H mm	Weight kg	Item No.
Type 1200, ductile iron mesh 13/28 mm	1000	150	465	184	172	200	10,75	13025
Type 1200, ductile iron slot 28 mm	1000	150	465	184	248	200	9,91	13035
Type 1200, ductile iron slot 14 mm	1000	150	465	184	124	200	10,75	13023

FASERFIX®SUPER

FASERFIX®KS

FASERFIX®BIG SLG

FASERFIX®BIG BL

RECYFIX®PLUS X

RECYFIX®NC

RECYFIX®MONOTEC

RECYFIX®HICAP®F

FASERFIX®POINT KS

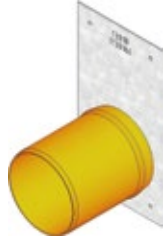
SERVICE CHANNEL

RECYFIX®HICAP®F 1000

RECYFIX®HICAP®F 1000, Accessories



End cap closed, galvanised,
type 1000

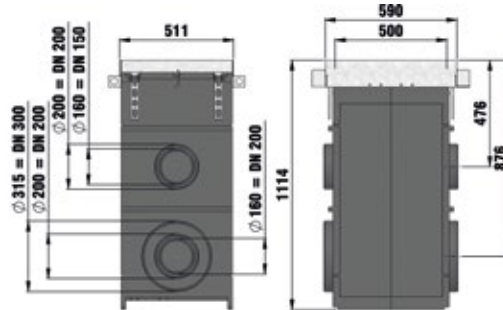


End cap with PVC-U pipe outlet
DN/OD 110, galvanised, type
1000

	Length mm	Width mm	Height mm	Weight kg	Item No.
End cap closed, galvanised, type 1000	-	140	250	1,20	13013
End cap with PVC-U pipe outlet DN/OD 110, galvanised, type 1000	-	140	250	1,20	13018

RECYFIX®HICAP®F 1000

RECYFIX®HICAP®F Trash boxes



Trash box complete with ductile iron grating SW 3 x 140/20 mm, class E 600

	Length mm	Width mm	Height mm	Weight kg	Item No.
Trash box complete with ductile iron grating SW 3 x 140/20 mm, class E 600	510	590	1114	101,00	16500
Trash box complete with solid ductile iron cover, class E 600	510	590	1114	103,50	16505
Trash box connector incl. assembling, RECYFIX HICAP 1000	-	-	-	2,73	881
Trash box connector incl. assembling, RECYFIX HICAP 2000	-	-	-	4,10	882
Trash box connector incl. assembling, RECYFIX HICAP 3000	-	-	-	3,90	884
Trash box connector incl. assembling, RECYFIX HICAP 5000	-	-	-	3,80	886
Trash box connector incl. assembling, RECYFIX HICAP 8000	-	-	-	4,70	888

FASERFIX®SUPER

FASERFIX®KS

FASERFIX®BIG SLG

FASERFIX®BIG BL

RECYFIX®PLUS X

RECYFIX®NC

RECYFIX®MONOTEC

RECYFIX®HICAP®F

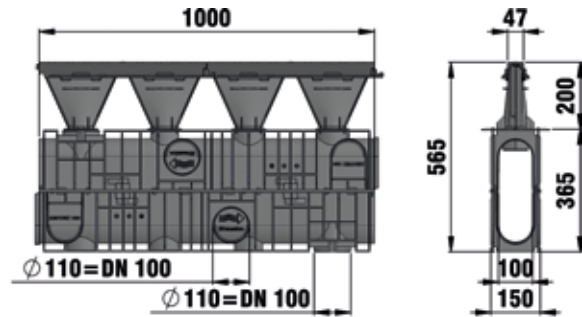
FASERFIX®POINT KS

SERVICE CHANNEL

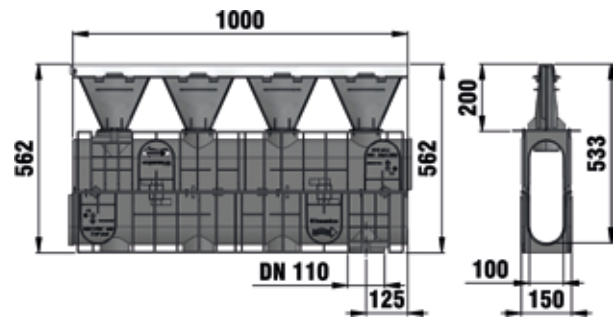
RECYFIX®HICAP®F 2000

RECYFIX®HICAP®F 2000 up to load class D 400

Type 2200, ductile
iron slot 6 mm



Type 2200, stainless
steel design grating
WAVE 6 mm

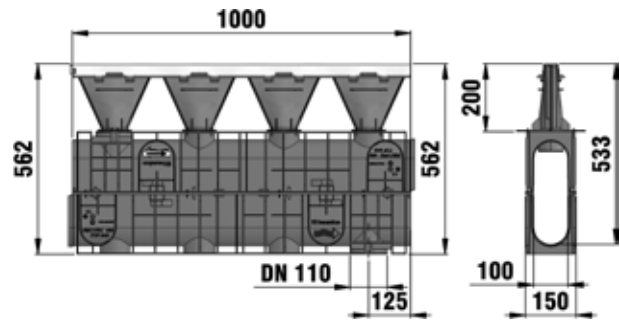


	Length mm	Width mm	Height mm	Internal channel cross-sect. cm ²	Intake cross-sect. cm ² /m	Funnel H mm	Weight kg	Item No.
Type 2200, ductile iron slot 6 mm	1000	150	565	284	129	200	13,20	13010
Type 2200, stainless steel design grating WAVE 6 mm	1000	150	562	284	44	200	-	13022

RECYFIX®HICAP®F 2000

RECYFIX®HICAP®F 2000 up to load class E 600

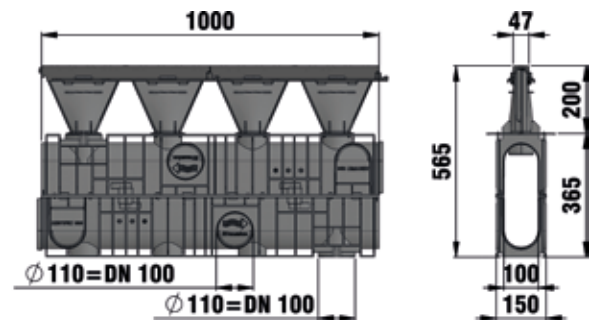
Type 2200, stainless steel slot 24 mm



	Length mm	Width mm	Height mm	Internal channel cross-sect. cm ²	Intake cross-sect. cm ² /m	Funnel H mm	Weight kg	Item No.
Type 2200, stainless steel slot 24 mm	1000	150	562	284	211	200	-	13024

RECYFIX®HICAP®F 2000 up to load class F 900

Type 2200, ductile iron slot 28 mm



	Length mm	Width mm	Height mm	Internal channel cross-sect. cm ²	Intake cross-sect. cm ² /m	Funnel H mm	Weight kg	Item No.
Type 2200, ductile iron mesh 13/28 mm	1000	150	565	284	172	200	13,10	13020
Type 2200, ductile iron slot 28 mm	1000	150	565	284	248	200	11,14	13030
Type 2200, ductile iron slot 14 mm	1000	150	565	284	124	200	11,51	13028

FASERFIX®SUPER

FASERFIX®KS

FASERFIX®BIG SLG

FASERFIX®BIG BL

RECYFIX®PLUS X

RECYFIX®NC

RECYFIX®MONOTEC

RECYFIX®HICAP®F

FASERFIX®POINT KS

SERVICE CHANNEL

RECYFIX®HICAP®F 2000

RECYFIX®HICAP®F 2000, Accessories



End cap closed, galvanised,
type 2000



End cap with PVC-U pipe outlet
DN/OD 110, galvanised,
type 2000

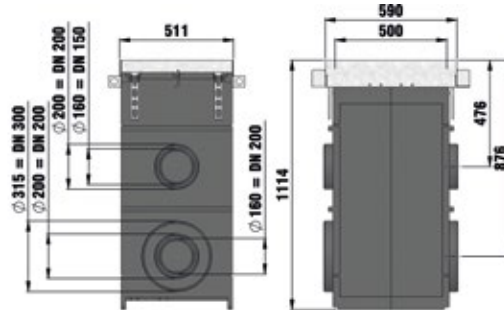


Step-fall ramp, stainless steel,
from RECYFIX HICAP 2000 to
RECYFIX HICAP 1000

	Length mm	Width mm	Height mm	Weight kg	Item No.
End cap closed, galvanised, type 2000	-	140	350	1,80	13012
End cap with PVC-U pipe outlet DN/OD 110, galvanised, type 2000	-	140	350	2,00	13015
Step-fall connector from RECYFIX HICAP 2000 to RECYFIX HICAP 1000	-	179	362	1,00	13019
Step-fall ramp, stainless steel, from RECYFIX HICAP 2000 to RECYFIX HICAP 1000	99	97	95	0,25	13195

RECYFIX®HICAP®F 2000

RECYFIX®HICAP®F Trash boxes



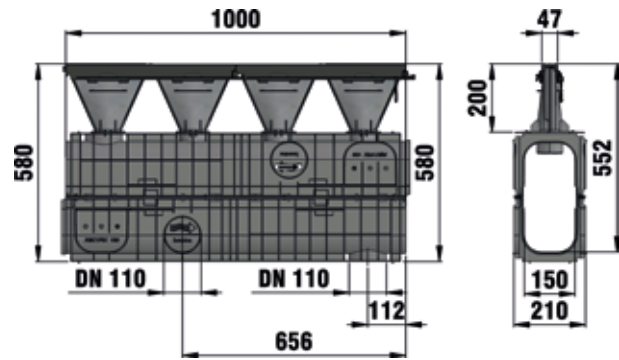
Trash box complete with ductile iron grating SW 3 x 140/20 mm, class E 600

	Length mm	Width mm	Height mm	Weight kg	Item No.
Trash box complete with ductile iron grating SW 3 x 140/20 mm, class E 600	511	590	1114	101,00	16500
Trash box complete with solid ductile iron cover, class E 600	511	590	1114	103,50	16505
Trash box connector incl. assembling, RECYFIX HICAP 1000	-	-	-	2,73	881
Trash box connector incl. assembling, RECYFIX HICAP 2000	-	-	-	4,10	882
Trash box connector incl. assembling, RECYFIX HICAP 3000	-	-	-	3,90	884
Trash box connector incl. assembling, RECYFIX HICAP 5000	-	-	-	3,80	886
Trash box connector incl. assembling, RECYFIX HICAP 8000	-	-	-	4,70	888

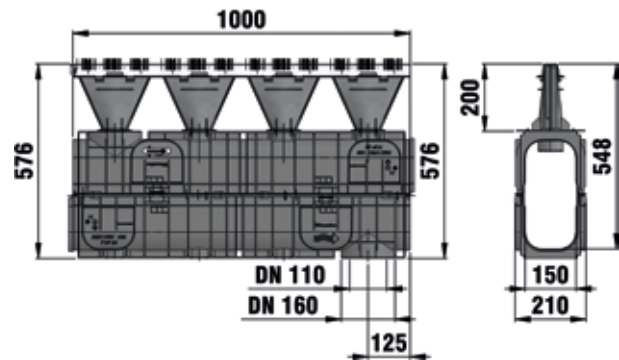
RECYFIX®HICAP®F 3000

RECYFIX®HICAP®F 3000 up to load class D 400

Type 3200, ductile iron slot 6 mm



Type 3200, stainless steel design grating WAVE 6 mm

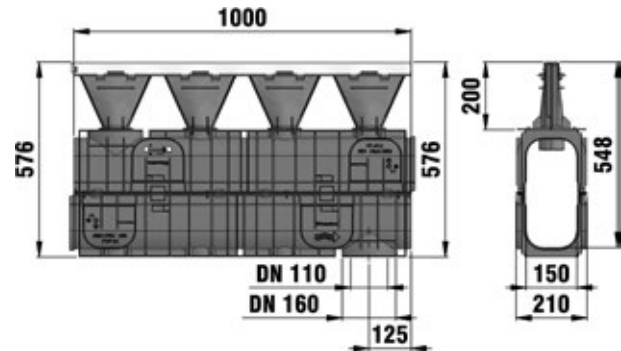


	Length mm	Width mm	Height mm	Internal channel cross-sect. cm ²	Intake cross-sect. cm ² /m	Funnel H mm	Weight kg	Item No.
Type 3200, ductile iron slot 6 mm	1000	210	580	460	129	200	12,50	13210
Type 3200, stainless steel design grating WAVE 6 mm	1000	210	576	460	44	200	-	13222

RECYFIX®HICAP®F 3000

RECYFIX®HICAP®F 3000 up to load class E 600

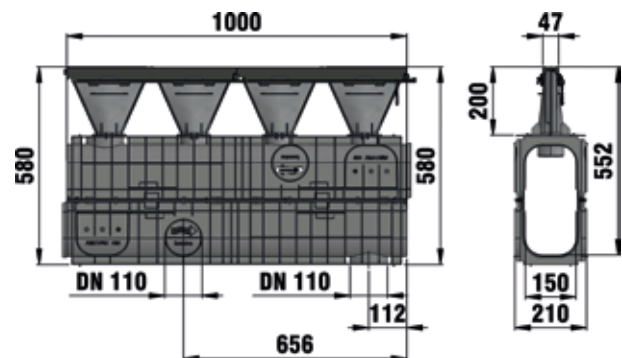
Type 3200, stainless steel slot 24 mm



	Length mm	Width mm	Height mm	Internal channel cross-sect. cm ²	Intake cross-sect. cm ² /m	Funnel H mm	Weight kg	Item No.
Type 3200, stainless steel slot 24 mm	1000	210	576	460	211	200	-	13224

RECYFIX®HICAP®F 3000 up to load class F 900

Type 3200, ductile iron mesh 13/28 mm



	Length mm	Width mm	Height mm	Internal channel cross-sect. cm ²	Intake cross-sect. cm ² /m	Funnel H mm	Weight kg	Item No.
Type 3200, ductile iron mesh 13/28 mm	1000	210	580	460	172	200	12,40	13220
Type 3200, ductile iron slot 28 mm	1000	210	580	460	248	200	11,29	13230
Type 3200, ductile iron slot 14 mm	1000	210	580	460	124	200	12,00	13225

RECYFIX®HICAP®F 3000

RECYFIX®HICAP®F 3000, Accessories



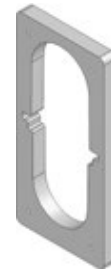
End cap closed, galvanised, type 3000



End cap with PVC-U pipe outlet DN/OD 160, galvanised, type 3000



End cap with PVC-U pipe outlet DN/OD 110, galvanised, type 2000

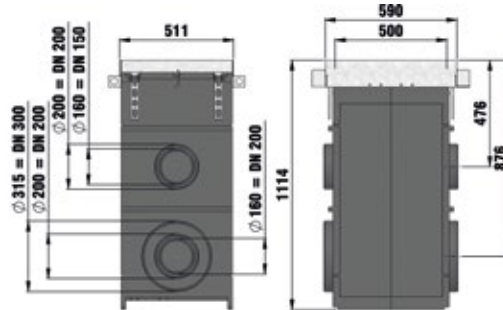


Step-fall connector from RECYFIX HICAP 3000 to RECYFIX HICAP 2000

	Length mm	Width mm	Height mm	Weight kg	Item No.
End cap closed, galvanised, type 3000	-	190	370	2,00	13212
End cap with PVC-U pipe outlet DN/OD 160, galvanised, type 3000	-	190	370	2,40	13215
End cap with PVC-U pipe outlet DN/OD 110, galvanised, type 2000	-	140	350	2,00	13015
Step-fall connector from RECYFIX HICAP 3000 to RECYFIX HICAP 2000	-	179	376	2,00	13017

RECYFIX®HICAP®F 3000

RECYFIX®HICAP®F Trash boxes



Trash box complete with ductile iron grating SW 3 x 140/20 mm, class E 600

	Length mm	Width mm	Height mm	Weight kg	Item No.
Trash box complete with ductile iron grating SW 3 x 140/20 mm, class E 600	511	590	1114	101,00	16500
Trash box complete with solid ductile iron cover, class E 600	511	590	1114	103,50	16505
Trash box connector incl. assembling, RECYFIX HICAP 1000	-	-	-	2,73	881
Trash box connector incl. assembling, RECYFIX HICAP 2000	-	-	-	4,10	882
Trash box connector incl. assembling, RECYFIX HICAP 3000	-	-	-	3,90	884
Trash box connector incl. assembling, RECYFIX HICAP 5000	-	-	-	3,80	886
Trash box connector incl. assembling, RECYFIX HICAP 8000	-	-	-	4,70	888

FASERFIX®SUPER

FASERFIX®KS

FASERFIX®BIG SLG

FASERFIX®BIG BL

RECYFIX®PLUS X

RECYFIX®NC

RECYFIX®MONOTEC

RECYFIX®HICAP®F

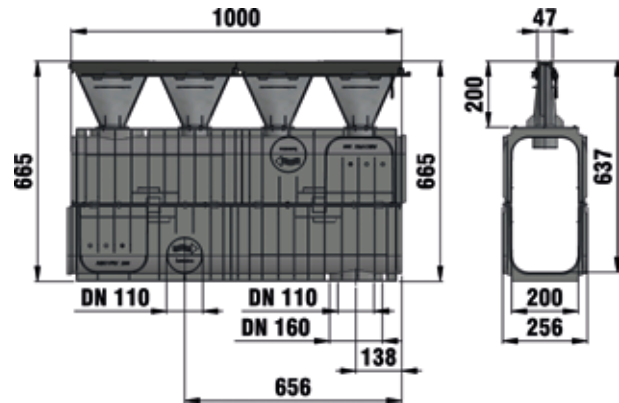
FASERFIX®POINT KS

SERVICE CHANNEL

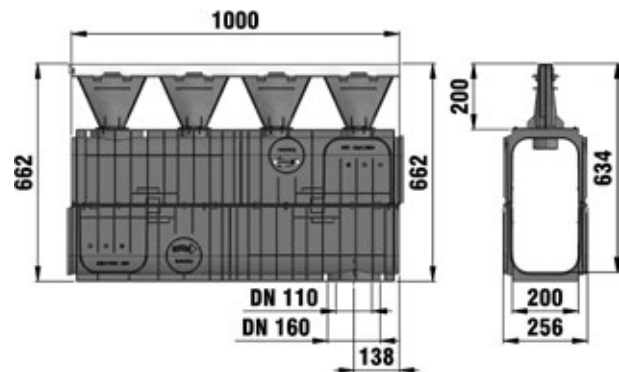
RECYFIX®HICAP®F 5000

RECYFIX®HICAP®F 5000 up to load class D 400

Type 5200, ductile
iron slot 6 mm



Type 5200, stainless
steel design grating
WAVE 6 mm

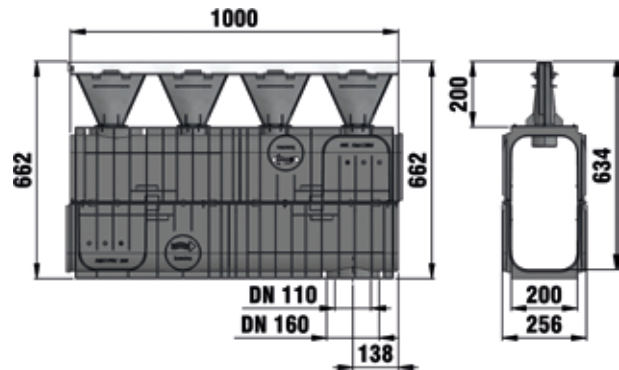


	Length mm	Width mm	Height mm	Internal channel cross-sect. cm ²	Intake cross-sect. cm ² /m	Funnel H mm	Weight kg	Item No.
Type 5200, ductile iron slot 6 mm	1000	256	665	790	129	200	14,00	13410
Type 5200, stainless steel design grating WAVE 6 mm	1000	256	662	790	44	200	-	13422

RECYFIX®HICAP®F 5000

RECYFIX®HICAP®F 5000 up to load class E 600

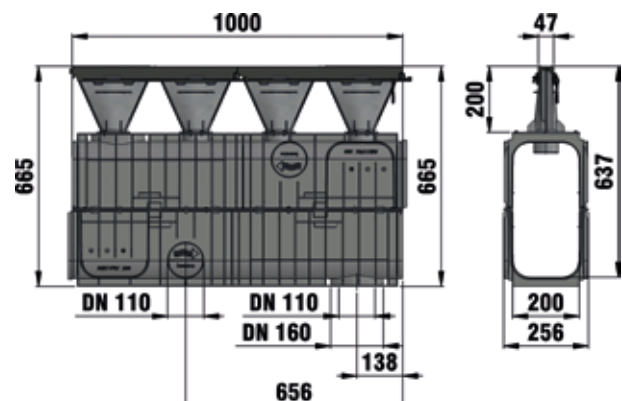
Type 5200, stainless steel slot 24 mm



	Length mm	Width mm	Height mm	Internal channel cross-sect. cm ²	Intake cross-sect. cm ² /m	Funnel H mm	Weight kg	Item No.
Type 5200, stainless steel slot 24 mm	1000	256	662	211	790	200	-	13424

RECYFIX®HICAP®F 5000 up to load class F 900

Type 5200, ductile iron mesh 13/28 mm



	Length mm	Width mm	Height mm	Internal channel cross-sect. cm ²	Intake cross-sect. cm ² /m	Funnel H mm	Weight kg	Item No.
Type 5200, ductile iron mesh 13/28 mm	1000	256	665	790	172	200	13,90	13420
Type 5200, ductile iron slot 28 mm	1000	256	665	790	248	200	12,61	13430
Type 5200, ductile iron slot 14 mm	1000	256	665	790	124	200	13,50	13425

RECYFIX®HICAP®F 5000

RECYFIX®HICAP®F 5000, Accessories



End cap closed, galvanised, type 5000



End cap with PVC-U pipe outlet DN/OD 200, galvanised, type 5000

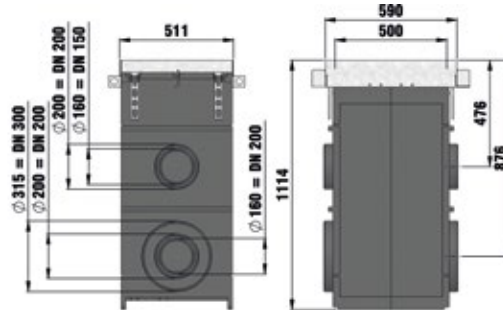


Step-fall connector from RECYFIX HICAP 5000 to RECYFIX HICAP 3000

	Length mm	Width mm	Height mm	Weight kg	Item No.
End cap closed, galvanised, type 5000	-	240	450	2,00	13412
End cap with PVC-U pipe outlet DN/OD 200, galvanised, type 5000	-	240	450	2,10	13415
Step-fall connector from RECYFIX HICAP 5000 to RECYFIX HICAP 3000	-	250	462	2,20	13217
Step-fall ramp, stainless steel, from RECYFIX HICAP 5000 to RECYFIX HICAP 3000	84	197	80	0,48	13295

RECYFIX®HICAP®F 5000

RECYFIX®HICAP®F Trash boxes



Trash box complete with ductile iron grating SW 3 x 140/20 mm, class E 600

	Length mm	Width mm	Height mm	Weight kg	Item No.
Trash box complete with ductile iron grating SW 3 x 140/20 mm, class E 600	511	590	1114	101,00	16500
Trash box complete with solid ductile iron cover, class E 600	511	590	1114	103,50	16505
Trash box connector incl. assembling, RECYFIX HICAP 1000	-	-	-	2,73	881
Trash box connector incl. assembling, RECYFIX HICAP 2000	-	-	-	4,10	882
Trash box connector incl. assembling, RECYFIX HICAP 3000	-	-	-	3,90	884
Trash box connector incl. assembling, RECYFIX HICAP 5000	-	-	-	3,80	886
Trash box connector incl. assembling, RECYFIX HICAP 8000	-	-	-	4,70	888

FASERFIX®SUPER

FASERFIX®KS

FASERFIX®BIG SLG

FASERFIX®BIG BL

RECYFIX®PLUS X

RECYFIX®NC

RECYFIX®MONOTEC

RECYFIX®HICAP®F

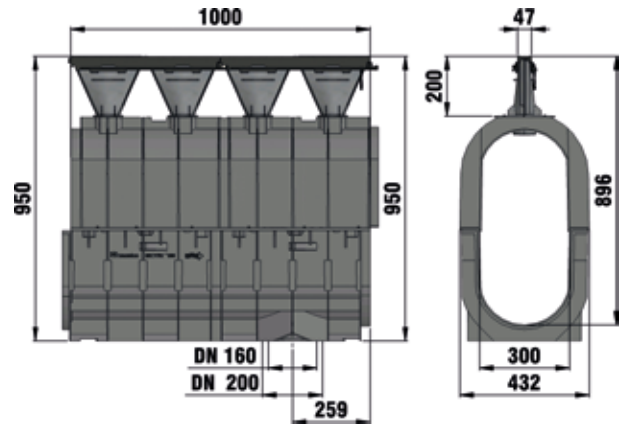
FASERFIX®POINT KS

SERVICE CHANNEL

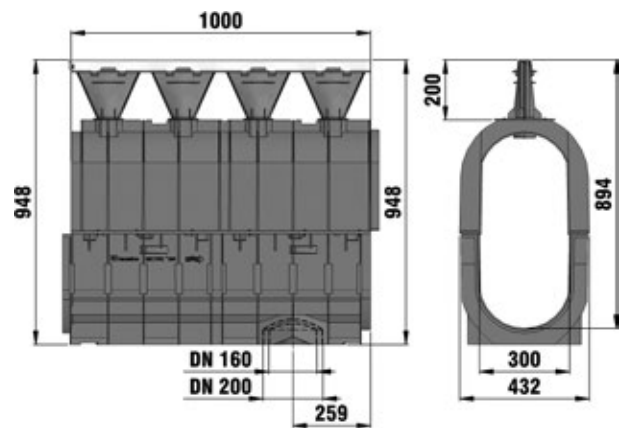
RECYFIX®HICAP®F 8000

RECYFIX®HICAP®F 8000 up to load class D 400

Type 8200, ductile iron slot 6 mm



Type 8200, stainless steel design grating WAVE 6 mm

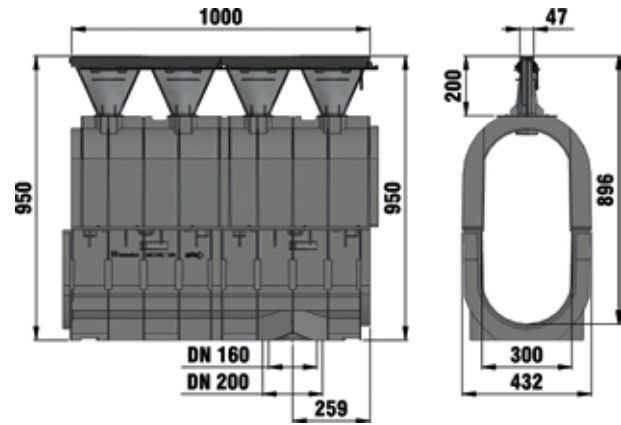


	Length mm	Width mm	Height mm	Internal channel cross-sect. cm ²	Intake cross-sect. cm ² /m	Funnel H mm	Weight kg	Item No.
Type 8200, ductile iron slot 6 mm	1000	432	950	1714	129	200	24,00	13610
Type 8200, stainless steel design grating WAVE 6 mm	1000	432	948	1714	44	200	-	13622

RECYFIX®HICAP®F 8000

RECYFIX®HICAP®F 8000 up to load class E 600

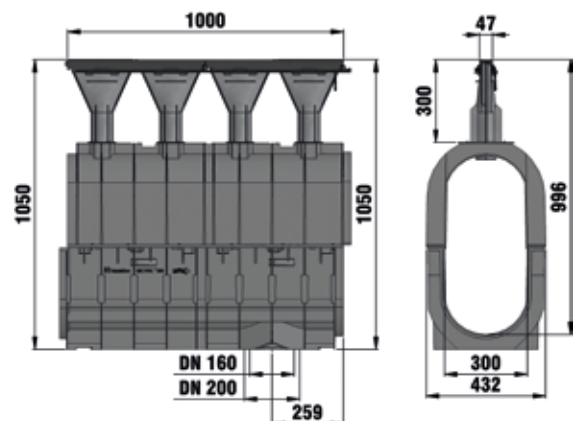
Type 8200, ductile iron mesh 13/28 mm



	Length mm	Width mm	Height mm	Internal channel cross-sect. cm ²	Intake cross-sect. cm ² /m	Funnel H mm	Weight kg	Item No.
Type 8200, ductile iron mesh 13/28 mm	1000	432	950	1714	172	200	23,90	13620
Type 8200, ductile iron slot 28 mm	1000	432	950	1714	248	200	21,60	13630
Type 8200, ductile iron slot 14 mm	1000	432	950	1714	124	200	23,50	13625
Type 8200, stainless steel slot 24 mm	1000	432	948	1714	211	200	-	13624

RECYFIX®HICAP®F 8000 up to load class F 900

Type 8300, ductile iron mesh 13/28 mm



	Length mm	Width mm	Height mm	Internal channel cross-sect. cm ²	Intake cross-sect. cm ² /m	Funnel H mm	Weight kg	Item No.
Type 8300, ductile iron mesh 13/28 mm	1000	432	1050	1714	172	300	24,10	13670
Type 8300, ductile iron slot 28 mm	1000	432	1050	1714	248	300	22,20	13680
Type 8300, ductile iron slot 14 mm	1000	432	1050	1714	124	300	23,80	13675

RECYFIX®HICAP®F 8000

RECYFIX®HICAP®F 8000, Accessories



End cap closed, galvanised, type 8000



End cap with PVC-U pipe outlet DN/OD 200, galvanised, type 8000

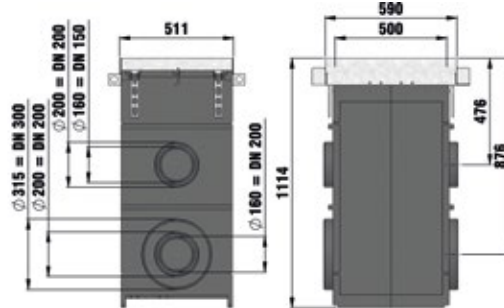


Step-fall connector from RECYFIX HICAP 8000 to RECYFIX HICAP 5000

	Length mm	Width mm	Height mm	Weight kg	Item No.
End cap closed, galvanised, type 8000	-	420	720	3,00	13612
End cap with PVC-U pipe outlet DN/OD 200, galvanised, type 8000	-	420	734	5,60	13615
Step-fall connector from RECYFIX HICAP 8000 to RECYFIX HICAP 5000	-	432	693	2,00	13417
Step-fall ramp, stainless steel, from RECYFIX HICAP 8000 to RECYFIX HICAP 5000	258	291	254	1,90	13695

RECYFIX®HICAP®F 8000

RECYFIX®HICAP®F Trash boxes



Trash box complete with ductile iron grating SW 3 x 140/20 mm, class E 600

	Length mm	Width mm	Height mm	Weight kg	Item No.
Trash box complete with ductile iron grating SW 3 x 140/20 mm, class E 600	511	590	1114	101,00	16500
Trash box complete with solid ductile iron cover, class E 600	511	590	1114	103,50	16505
Trash box connector incl. assembling, RECYFIX HICAP 1000	-	-	-	2,70	881
Trash box connector incl. assembling, RECYFIX HICAP 2000	-	-	-	4,10	882
Trash box connector incl. assembling, RECYFIX HICAP 3000	-	-	-	3,90	884
Trash box connector incl. assembling, RECYFIX HICAP 5000	-	-	-	3,80	886
Trash box connector incl. assembling, RECYFIX HICAP 8000	-	-	-	4,70	888

FASERFIX®SUPER

FASERFIX®KS

FASERFIX®BIG SLG

FASERFIX®BIG BL

RECYFIX®PLUS X

RECYFIX®NC

RECYFIX®MONOTEC

RECYFIX®HICAP®F

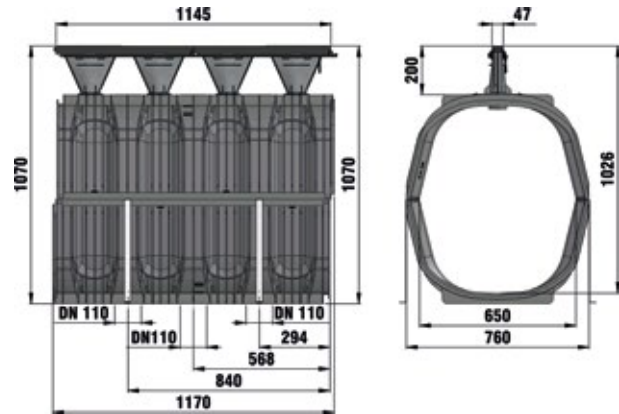
FASERFIX®POINT KS

SERVICE CHANNEL

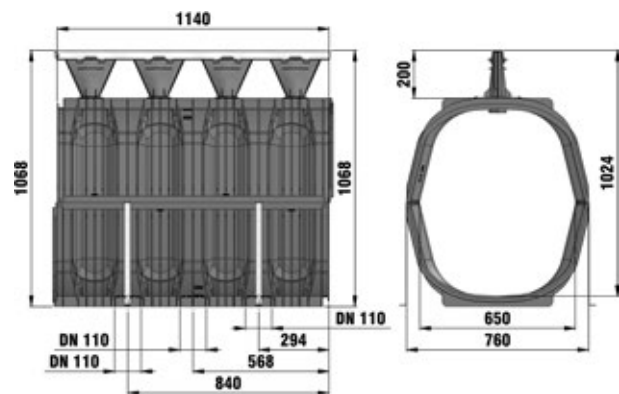
RECYFIX®HICAP®F 10000

RECYFIX®HICAP®F 10000 up to load class D 400

Type 10200, ductile iron slot 6 mm



Type 10200, stainless steel design grating WAVE 6 mm

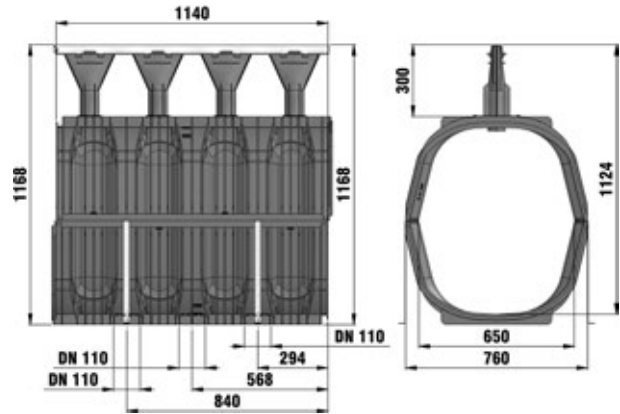


	Length mm	Width mm	Height mm	Internal channel cross-sect. cm ²	Intake cross-sect. cm ² /m	Funnel H mm	Weight kg	Item No.
Type 10200, ductile iron slot 6 mm	1145	760	1070	4430	129	200	31,90	13810
Type 10200, stainless steel design grating WAVE 6 mm	1140	760	1068	4430	44	200	-	13822

RECYFIX®HICAP®F 10000

RECYFIX®HICAP®F 10000 up to load class E 600

Type 10300, stainless steel slot 24 mm

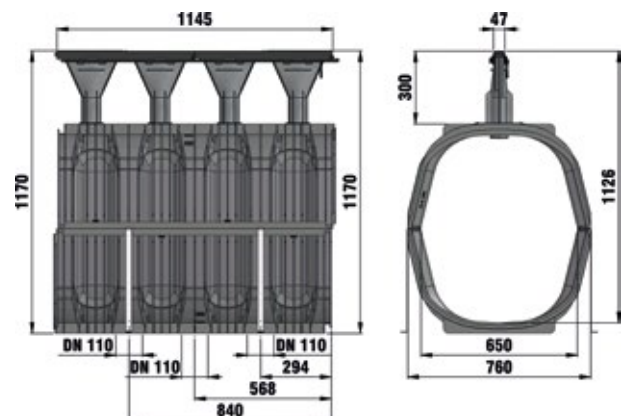


	Length mm	Width mm	Height mm	Internal channel cross-sect. cm ²	Intake cross-sect. cm ² /m	Funnel H mm	Weight kg	Item No.
--	--------------	-------------	--------------	-------------------------------------------------------	---------------------------------------------	----------------	--------------	-------------

Type 10300, stainless steel slot 24 mm	1140	760	1168	4430	211	300	-	13874
----------------------------------------	------	-----	------	------	-----	-----	---	-------

RECYFIX®HICAP®F 10000 up to load class F 900

Type 10300, ductile iron slot 14 mm



	Length mm	Width mm	Height mm	Internal channel cross-sect. cm ²	Intake cross-sect. cm ² /m	Funnel H mm	Weight kg	Item No.
--	--------------	-------------	--------------	-------------------------------------------------------	---------------------------------------------	----------------	--------------	-------------

Type 10300, ductile iron mesh 13/28 mm	1145	760	1170	4430	172	300	31,20	13870
Type 10300, ductile iron slot 28 mm	1145	760	1170	4430	248	300	31,20	13880
Type 10300, ductile iron slot 14 mm	1145	760	1170	4430	-	300	32,20	13885

FASERFIX®SUPER

FASERFIX®KS

FASERFIX®BIG SLG

FASERFIX®BIG BL

RECYFIX®PLUS X

RECYFIX®NC

RECYFIX®MONOTEC

RECYFIX®HICAP®F

FASERFIX®POINT KS

SERVICE CHANNEL

RECYFIX®HICAP®F 10000

RECYFIX®HICAP®F 10000, Accessories



Step-fall connector from RECYFIX HICAP 10000 to RECYFIX HICAP 8000

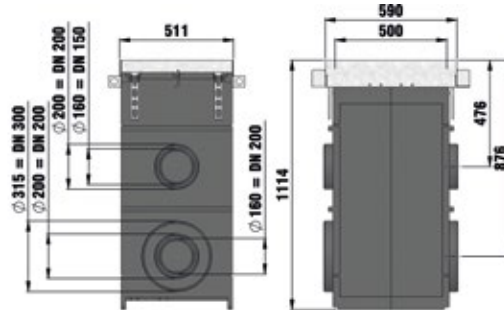


Step-fall ramp, stainless steel, from RECYFIX HICAP 10000 to RECYFIX HICAP 8000

	Length mm	Width mm	Height mm	Weight kg	Item No.
end cap, black, incl. assembly set	-	803	822	4,40	96002
Step-fall connector from RECYFIX HICAP 10000 to RECYFIX HICAP 8000	-	760	845	5,00	13617
Step-fall ramp, stainless steel, from RECYFIX HICAP 10000 to RECYFIX HICAP 8000	280	686	255	4,30	13895

RECYFIX®HICAP®F 10000

RECYFIX®HICAP®F Trash boxes



Trash box complete with ductile iron grating SW 3 x 140/20 mm, class E 600

	Length mm	Width mm	Height mm	Weight kg	Item No.
Trash box complete with ductile iron grating SW 3 x 140/20 mm, class E 600	511	590	1114	101,00	16500
Trash box complete with solid ductile iron cover, class E 600	511	590	1114	103,50	16505
Trash box connector incl. assembling, RECYFIX HICAP 1000	-	-	-	2,70	881
Trash box connector incl. assembling, RECYFIX HICAP 2000	-	-	-	4,10	882
Trash box connector incl. assembling, RECYFIX HICAP 3000	-	-	-	3,90	884
Trash box connector incl. assembling, RECYFIX HICAP 5000	-	-	-	3,80	886
Trash box connector incl. assembling, RECYFIX HICAP 8000	-	-	-	4,70	888

FASERFIX®SUPER

FASERFIX®KS

FASERFIX®BIG SLG

FASERFIX®BIG BL

RECYFIX®PLUS X

RECYFIX®NC

RECYFIX®MONOTEC

RECYFIX®HICAP®F

FASERFIX®POINT KS

SERVICE CHANNEL